
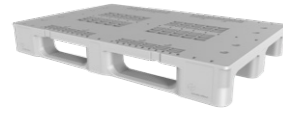


## RackPal® 1208 : technical details



<b>8380.100 - 3R</b>	
Rackpal® 1208	
<b>Ext. (mm)</b>	1200 x 800 x 152
<b>Weight (Kg)</b>	14.2
<b>Load capacity (Kg)</b>	6000
<b>Static load (Kg)</b>	6000
<b>Dynamic load (Kg)</b>	1500
<b>Racking load (Kg)</b>	800
No safety rim, open runners	




<b>8380.150 - 3R Heavy</b>	
Rackpal® 1208	
<b>Ext. (mm)</b>	1200 x 800 x 152
<b>Weight (Kg)</b>	17.7
<b>Load capacity (Kg)</b>	6000
<b>Static load (Kg)</b>	6000
<b>Dynamic load (Kg)</b>	1500
<b>Racking load (Kg)</b>	1250
No safety rim, reinforced open runners	



<b>8380.200 - 3R R</b>	
Rackpal® 1208	
<b>Ext. (mm)</b>	1200 x 800 x 159
<b>Weight (Kg)</b>	14.2
<b>Load capacity (Kg)</b>	6000
<b>Static load (Kg)</b>	6000
<b>Dynamic load (Kg)</b>	1500
<b>Racking load (Kg)</b>	800
7mm safety rim, open runners	




<b>8380.250 - 3R R Heavy</b>	
Rackpal® 1208	
<b>Ext. (mm)</b>	1200 x 800 x 159
<b>Weight (Kg)</b>	17.7
<b>Load capacity (Kg)</b>	6000
<b>Static load (Kg)</b>	6000
<b>Dynamic load (Kg)</b>	1500
<b>Racking load (Kg)</b>	1250
7mm safety rim, reinforced open runners	




<b>8380.300 - 3R R</b>	
Rackpal® 1208	
<b>Ext. (mm)</b>	1205 x 805 x 174
<b>Weight (Kg)</b>	14.4
<b>Load capacity (Kg)</b>	6000
<b>Static load (Kg)</b>	6000
<b>Dynamic load (Kg)</b>	1500
<b>Racking load (Kg)</b>	800
22mm safety rim, open runners	



<b>8380.350 - 3R R Heavy</b>	
Rackpal® 1208	
<b>Ext. (mm)</b>	1205 x 805 x 174
<b>Weight (Kg)</b>	17.9
<b>Load capacity (Kg)</b>	6000
<b>Static load (Kg)</b>	6000
<b>Dynamic load (Kg)</b>	1500
<b>Racking load (Kg)</b>	1250
22mm safety rim, reinforced open runners	



<b>8380.110 - 3R</b>	
Rackpal® 1208	
<b>Ext. (mm)</b>	1200 x 800 x 156
<b>Weight (Kg)</b>	15.6
<b>Load capacity (Kg)</b>	6000
<b>Static load (Kg)</b>	6000
<b>Dynamic load (Kg)</b>	1500
<b>Racking load (Kg)</b>	800
No safety rim and with welded runners	




<b>8380.160 - 3R Heavy</b>	
Rackpal® 1208	
<b>Ext. (mm)</b>	1200 x 800 x 152
<b>Weight (Kg)</b>	19.8
<b>Load capacity (Kg)</b>	6000
<b>Static load (Kg)</b>	6000
<b>Dynamic load (Kg)</b>	1500
<b>Racking load (Kg)</b>	1250
No safety rim, reinforced welded runners	



<b>8380.210 - 3R R</b>	
Rackpal® 1208	
<b>Ext. (mm)</b>	1200 x 800 x 163
<b>Weight (Kg)</b>	15.6
<b>Load capacity (Kg)</b>	6000
<b>Static load (Kg)</b>	6000
<b>Dynamic load (Kg)</b>	1500
<b>Racking load (Kg)</b>	800
7mm safety rim, open runners	



<b>8380.260 - 3R R</b>	
Rackpal® 1208	
<b>Ext. (mm)</b>	1200 x 800 x 163
<b>Weight (Kg)</b>	19.8
<b>Load capacity (Kg)</b>	6000
<b>Static load (Kg)</b>	6000
<b>Dynamic load (Kg)</b>	1500
<b>Racking load (Kg)</b>	1250
7mm safety rim, reinforced welded runners	



<b>8380.310 - 3R R</b>	
Rackpal® 1208	
<b>Ext. (mm)</b>	1205 x 805 x 178
<b>Weight (Kg)</b>	15.9
<b>Load capacity (Kg)</b>	6000
<b>Static load (Kg)</b>	6000
<b>Dynamic load (Kg)</b>	1500
<b>Racking load (Kg)</b>	800
22mm safety rim, welded runners	

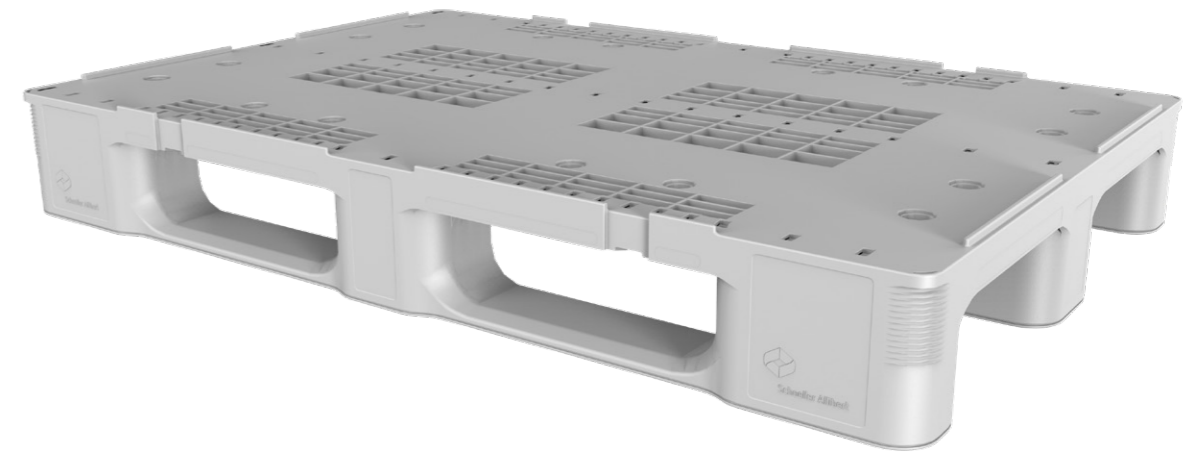


<b>8380.360 - 3R R Heavy</b>	
Rackpal® 1208	
<b>Ext. (mm)</b>	1205 x 805 x 178
<b>Weight (Kg)</b>	19.8
<b>Load capacity (Kg)</b>	6000
<b>Static load (Kg)</b>	6000
<b>Dynamic load (Kg)</b>	1500
<b>Racking load (Kg)</b>	1250
22mm safety rim, reinforced welded runners	

# 360°

## Schoeller Allibert Returnable Plastic Packaging Solutions

 RackPal® 1208



**Schoeller Allibert**  
Innovating your logistics for a better world



Schoeller Allibert



Please visit our website  
[www.schoellerallibert.com](http://www.schoellerallibert.com)

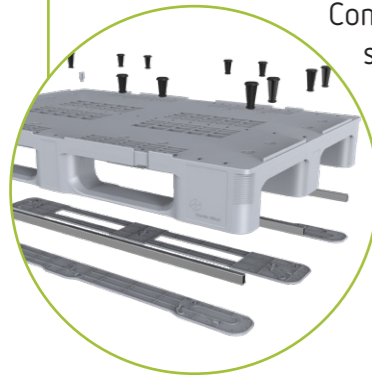
In line with its policy of continuous development, Schoeller Allibert reserves the right to amend product specifications described in this catalogue without prior notice. Most of products are protected by patent, registered design or copyright. Texts, characteristics, pictures and plans are not contractual. Updated 08/2021.

# RackPal® 1208

The ideal base for automated logistics: lightweight, rackable and strong

## Outstanding performance

Weighing only 14kg the RackPal® can take up to 6000kg static load, 1500kg dynamic load and 800kg on racks. The reinforced version equipped with steel bars inside the top deck can take 1250kg racking load.



Compliant to the utmost pallet standards and norms, RackPal® performance is tested according to ISO8611, guaranteeing safety of loads and operators.

## Designed for automated handling systems

From 800kg up to 1250kg racking load, the RackPal® pallet works seamlessly on all robotized handling systems. Silent on conveyors thanks to its runners base design,

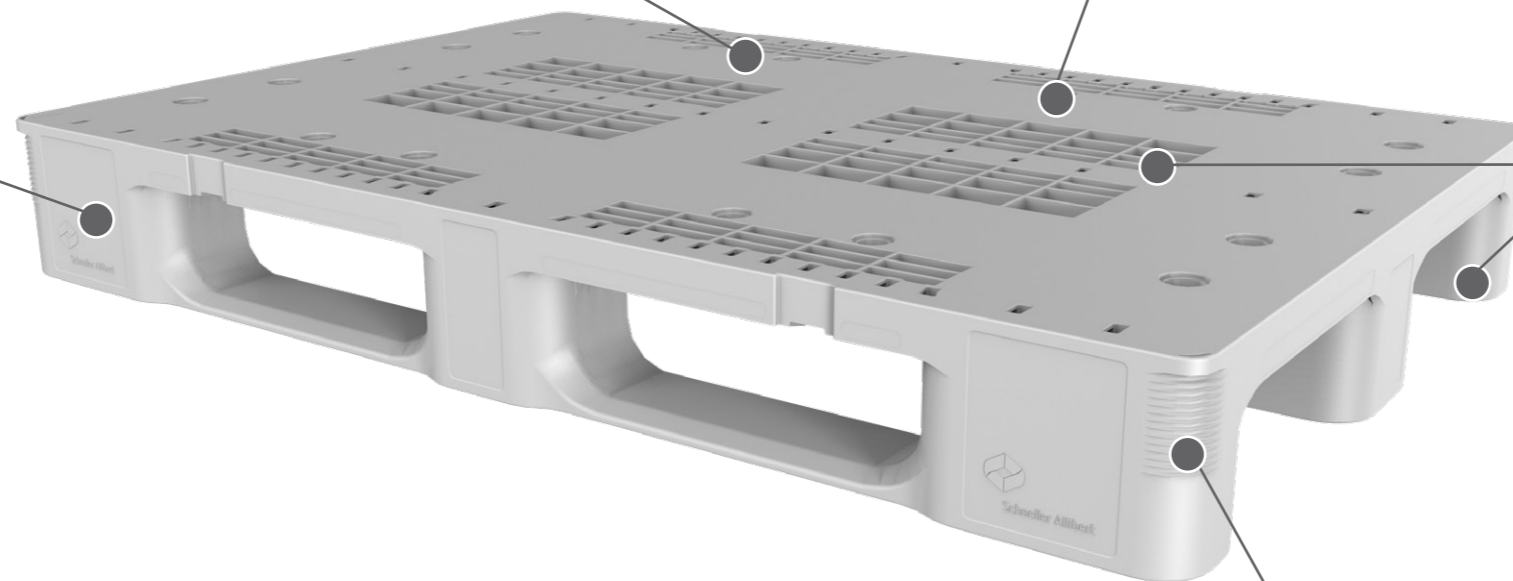
Pallet cover available to secure stacks of container



## Customisation and tracking

Feet have special internal locations for RFID tags to ensure efficient tracking.

To facilitate fleet management, guarantee your property and enhance your brand awareness, large marking or engraving zones are located on all feet.



## The pallet for the retail e-business and food processing

Perforated top deck for optimum airflow in cool chambers and refrigerated trucks.

Welded runners version available for food processing and pharmaceutical industries hygiene requirements.

Smooth top deck to welcome cardboard boxes, or with a safety 20 mm high top rim to hold plastic containers. The RackPal® pallet includes a version with a 22 mm high top rim offsetting overall dimensions by 5 mm in both length and width.

## Anti-slip

Optional anti-slip plugs for safer handling.



## Ideal for external logistics

Special features facilitate safety of shipments: on the 4 corner feet horizontal ribbing is designed to firmly hold wrap foils, 4 strap hook locations are included on the top deck.

From medium to heavy duty, a wide range meeting all industrial logistics needs:

The deck can be flat, with a 7 mm top rim or a 22 mm top rim. When equipped with steel bars, the reinforced variant offers a 1250kg racking load performance. The 3 runners can be either ribbed or with a smooth welded base suitable for industries where hygiene is key.